

Only for radios that are capable and/or have a 9600 external data menu

KH7O modification to Signalink

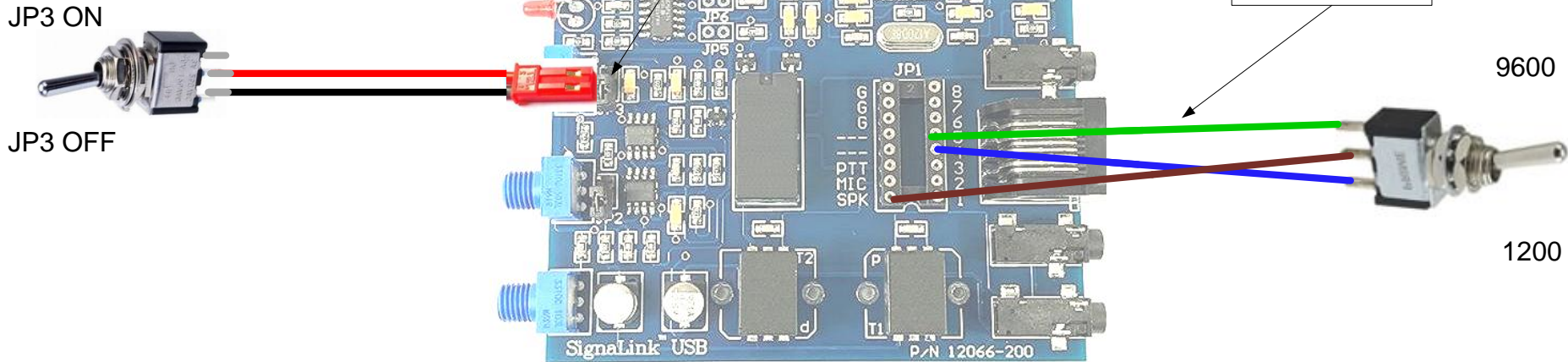
<https://www.hawaiirepeaters.net/wiring.pdf>

UP when connected to a 9600 capable Receiver
1200 FOR HF OR LOW SPEED VHF FM

JP3 UP for higher TX audio when
connected to a 9600 capable transmitter



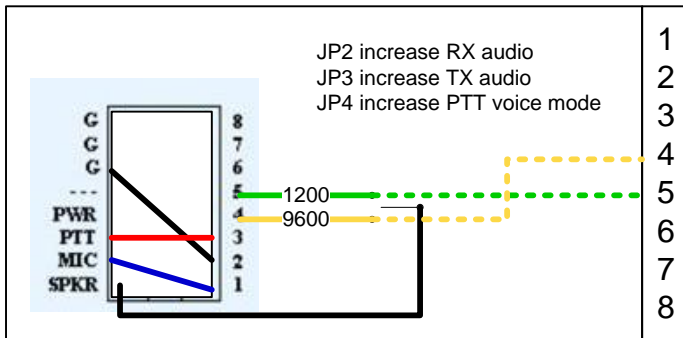
JP3 Located here. Non polarized
ignore red/black colors



5- Green
4- Blue
SPK-Brown

9600
1200

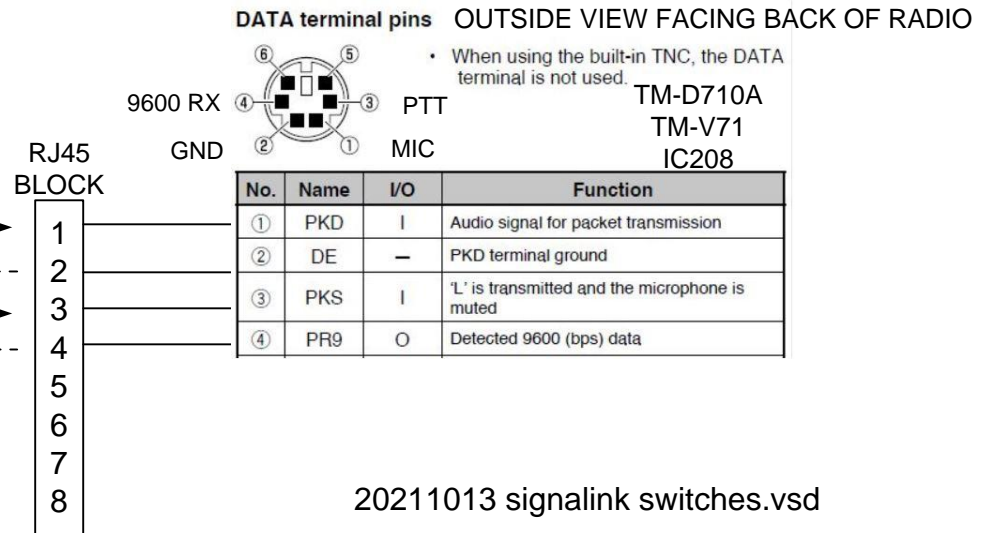
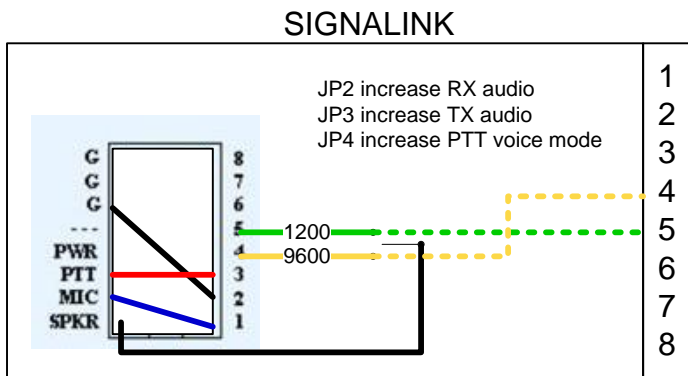
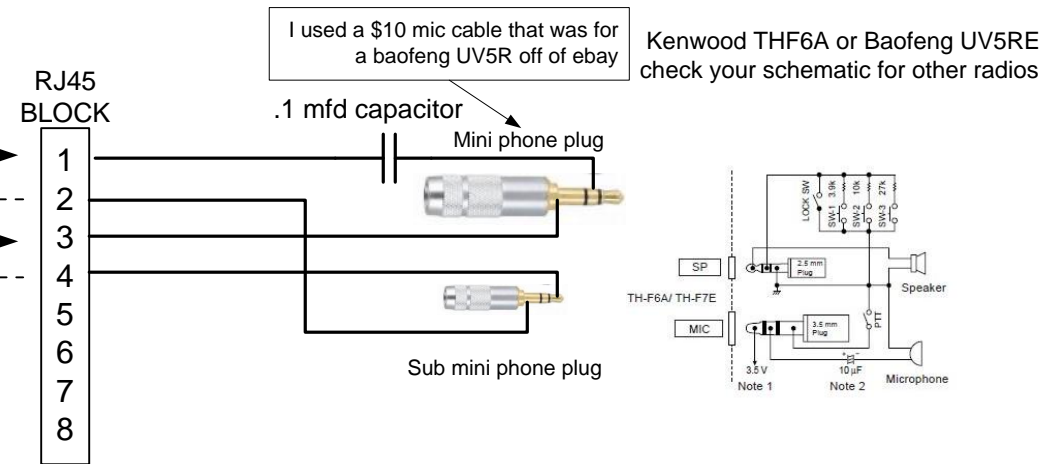
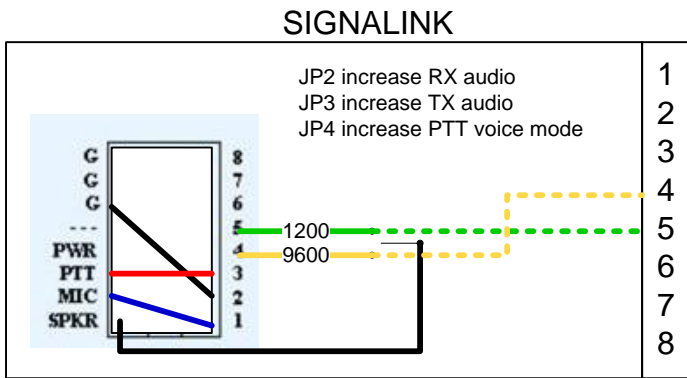
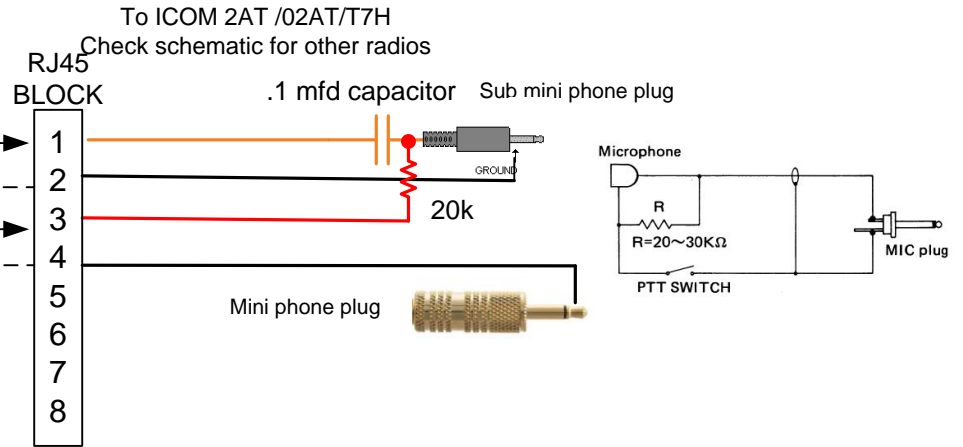
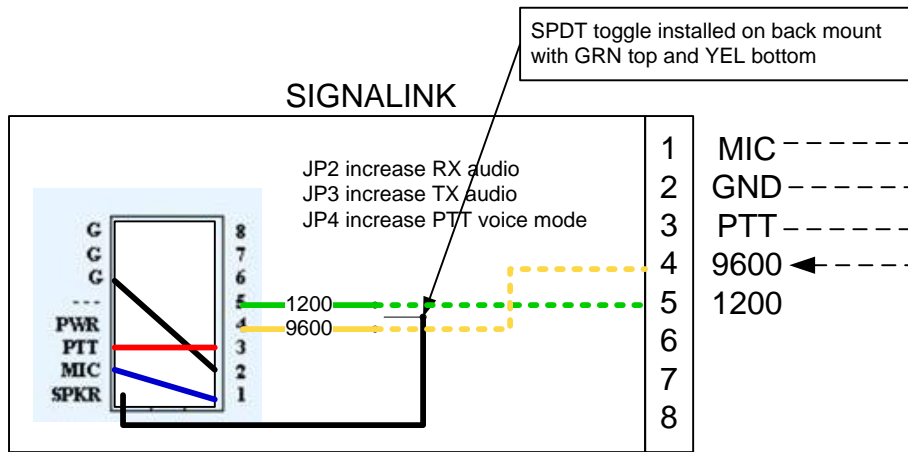
SIGNALINK



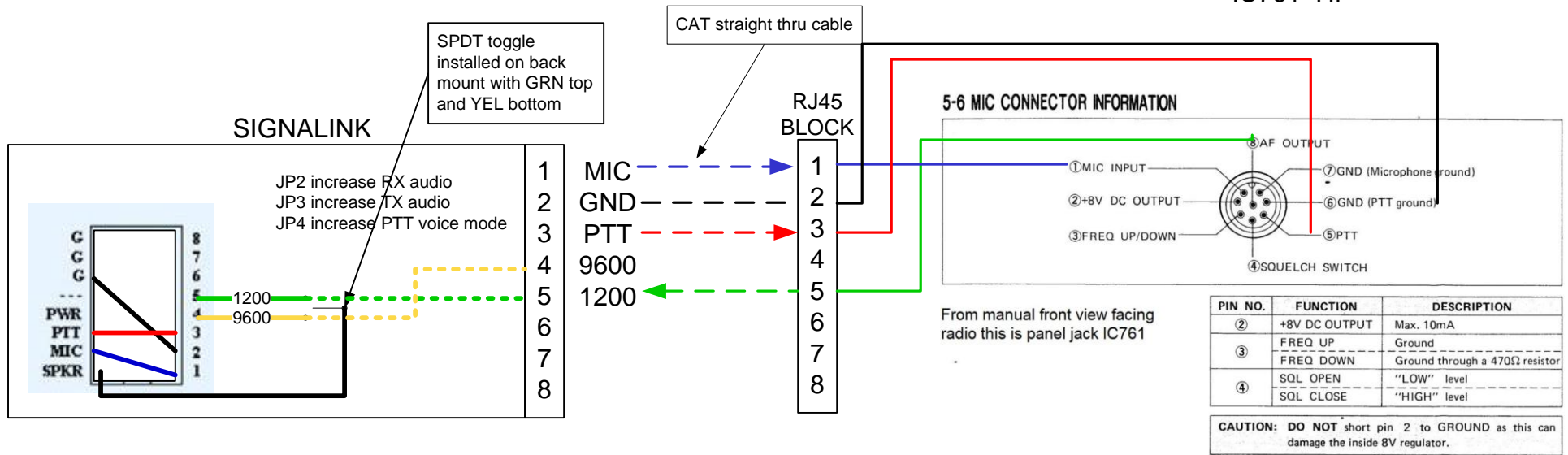
JP2 increase RX audio
JP3 increase TX audio
JP4 increase PTT voice mode



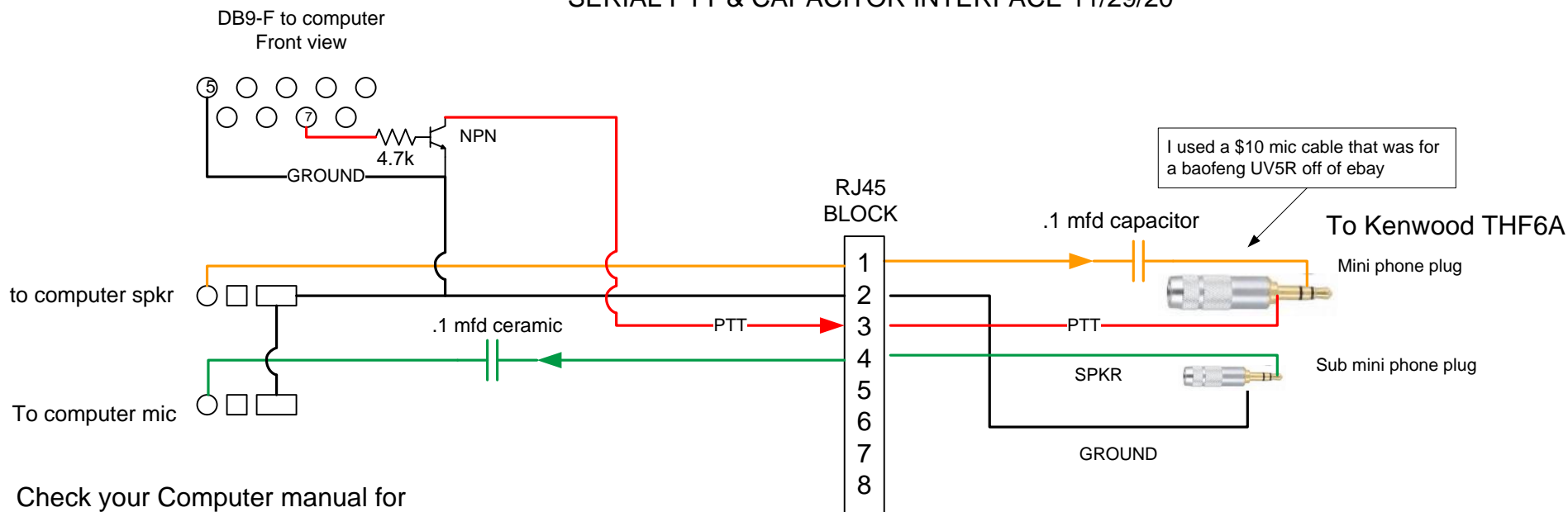
- Pin #1 White/Orange
- Pin #2 Orange
- Pin #3 White/Green
- Pin #4 Blue
- Pin #5 White/Blue
- Pin #6 Green
- Pin #7 White/Brown
- Pin #8 Brown



IC761 HF



SERIAL PTT & CAPACITOR INTERFACE 11/29/20



Check your Computer manual for microphone and speaker pinout.

WARNING use at your own risk as this is a simplified interface without level limits in either direction that was tested and used on HP Pavilion computers with a generic USB to DB9 serial adapter

This adapter does not use isolated ground between radio and computer.

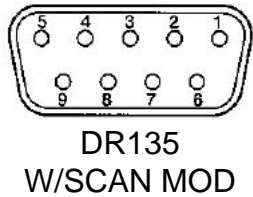
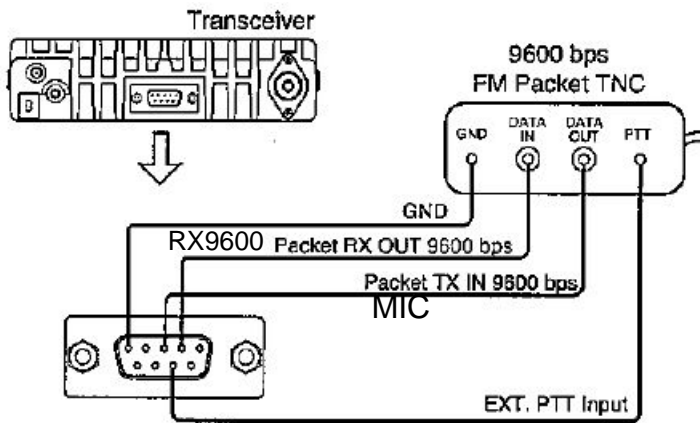
EXAMPLE SET UP:

- 1) I set computer spkr slider for 30
- 2) VARA PTT select your comm port #
- 3) start with minimal radio spkr output level then increase



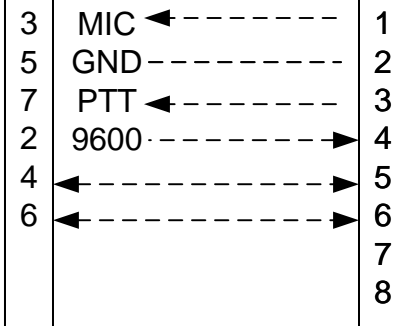
This wiring works on

- Baofeng UV5RA
- Baofeng UV5RE
- Baofeng BTECH DMR 6x2
- Kenwood TH-F6A
- TYT MD UV 380



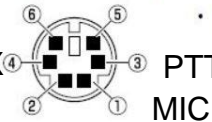
Pin numbering
looking at rear of radio

DB9 TO DR135
SCAN MOD



MINI DIN 6 TO RED ADAPTER

DATA terminal pins



• When using the built-in TNC, the DATA terminal is not used.

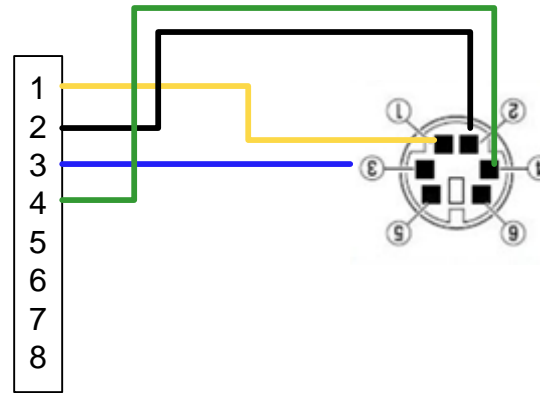
9600 RX
GND
PTT
MIC

No.	Name	I/O	Function
①	PKD	I	Audio signal for packet transmission
②	DE	-	PKD terminal ground
③	PKS	I	'L' is transmitted and the microphone is muted
④	PR9	O	Detected 9600 (bps) data

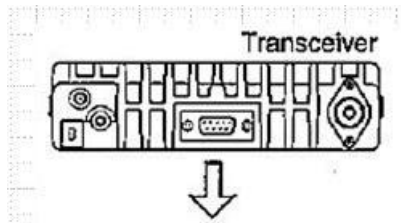
DRA-45 DB9 Pinout:

- 1 = Main TX Audio
- 2 = Not Used - (AllStar hardware COS input when JU3 is installed)
- 3 = PTT
- 4 = Not Used - (AllStar hardware CTCSS input when JU4 is installed)
- 5 = RX Audio
- 6 = Ground
- 7 = Local Control or Alarm Trip
- 8 = Not Used - (Aux TX Audio when JU5 is installed)
- 9 = External Power for the Audio Amps (when JU2 is in the "B" position).

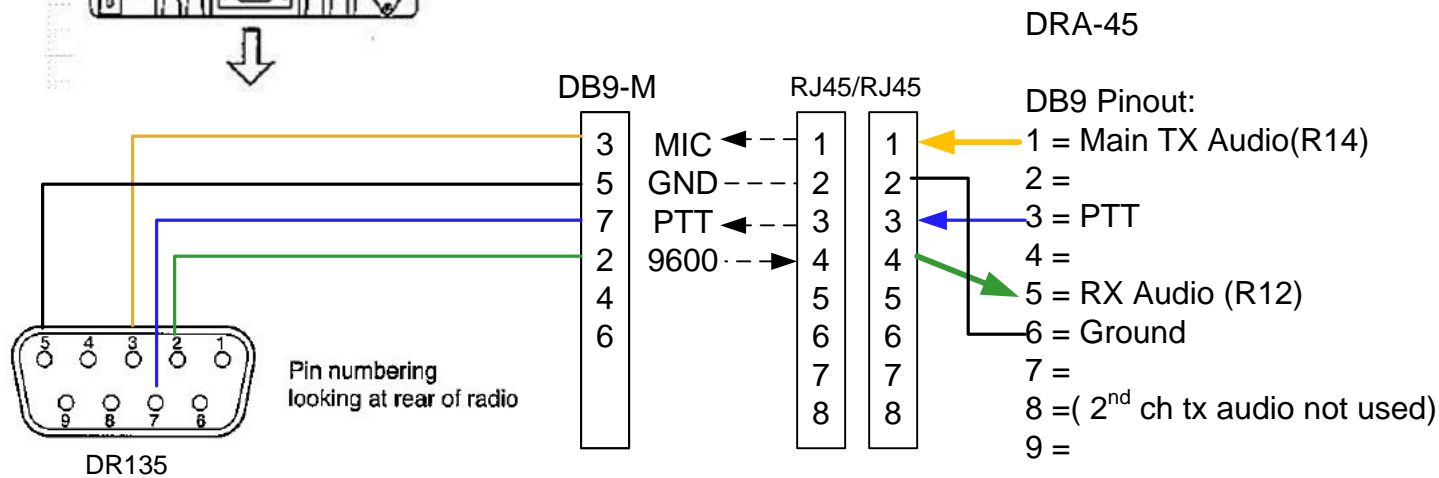
ALINCO DR135 TO DRA50&RED ADAPTER



VIEW LOOKING AT
ADAPTER JACK FROM
OUTSIDE RADIO



ALINCO DR135 TO RA45 W/DB9 CONNECTOR



DR135 /RA45 setup hp laptop can achieve 25k up/dn

RX DATA bps affected by windows/manage audio/playback spkr lvl if set below 100 therefore set 100.
use R12 to set 2pm position on vara with receiver unscquelched.

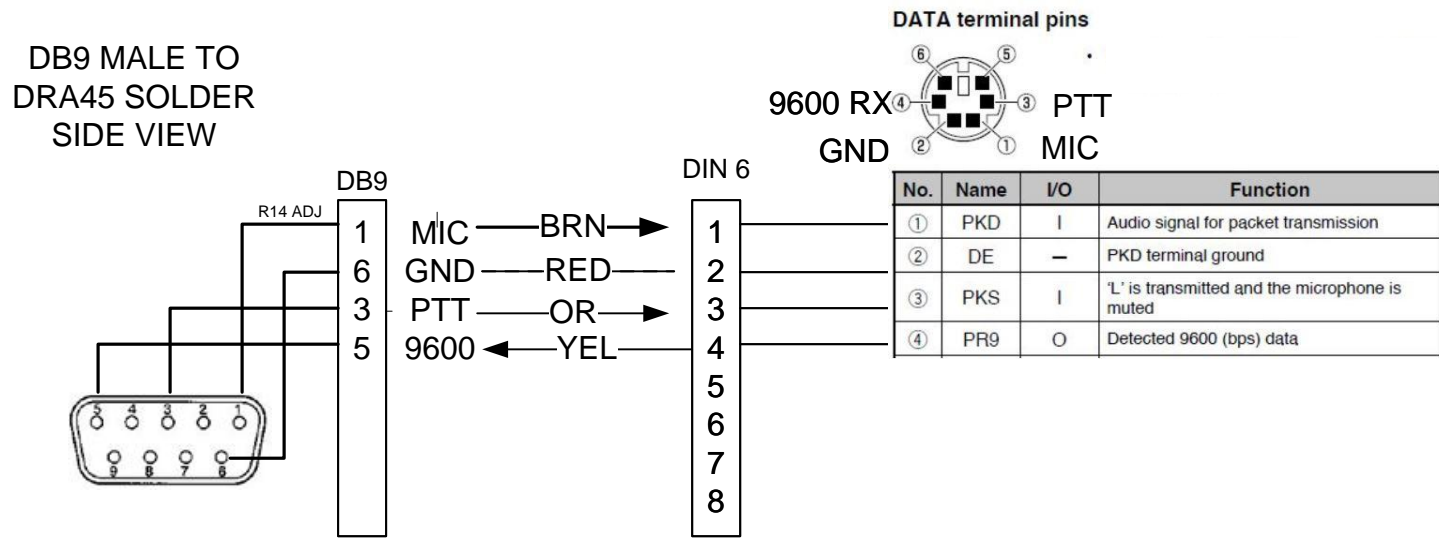
TX DATA bps at 25k set windows spkr slider 100 & vara spkr output slider . adjust deviation with R14 on RA45 to 1.8khz on service monitor.

=====

note: this procedure does NOT apply to custom **RED adapter that has no internal TX adj** so need to adjust TX DATA **with the windows spkr slider** . Preset vara spkr slider 0db

Masters DRA45 to ICOM ID-880H

MINI DIN 6 ICOM 880H



14.4K Best TX load test when ID880H set 1200 and VARA set WIDE