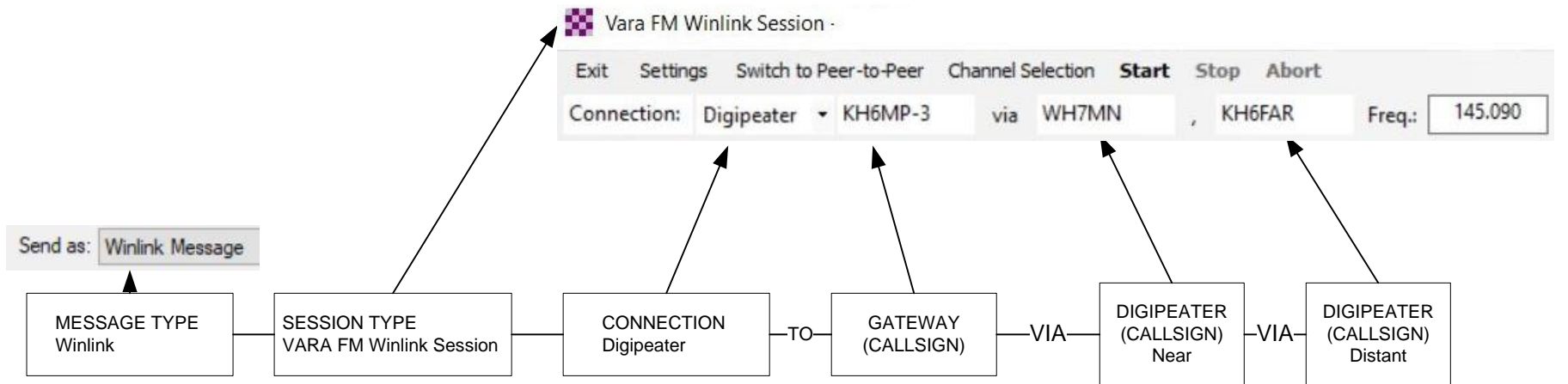
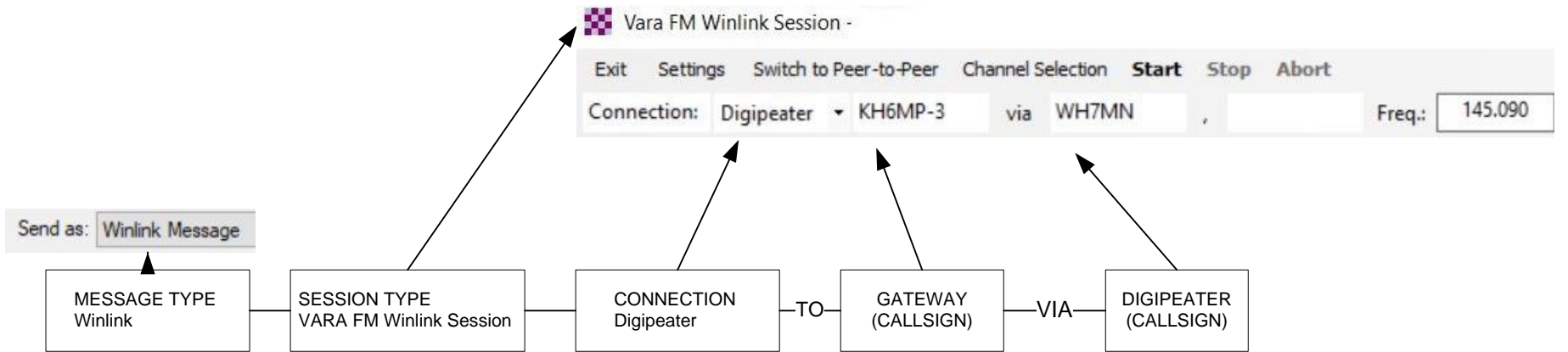
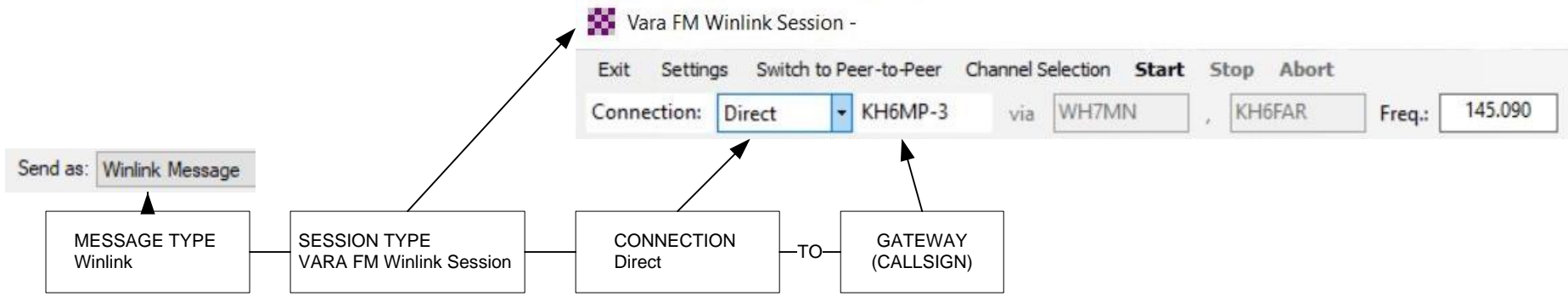


WINLINK MESSAGE Ham #1 to Gateway



PEER TO PEER MESSAGE Ham #1 to Ham #2

