

Only for radios that are capable and/or have a 9600 external data menu

KH7O modification to Signalink 9/1/20

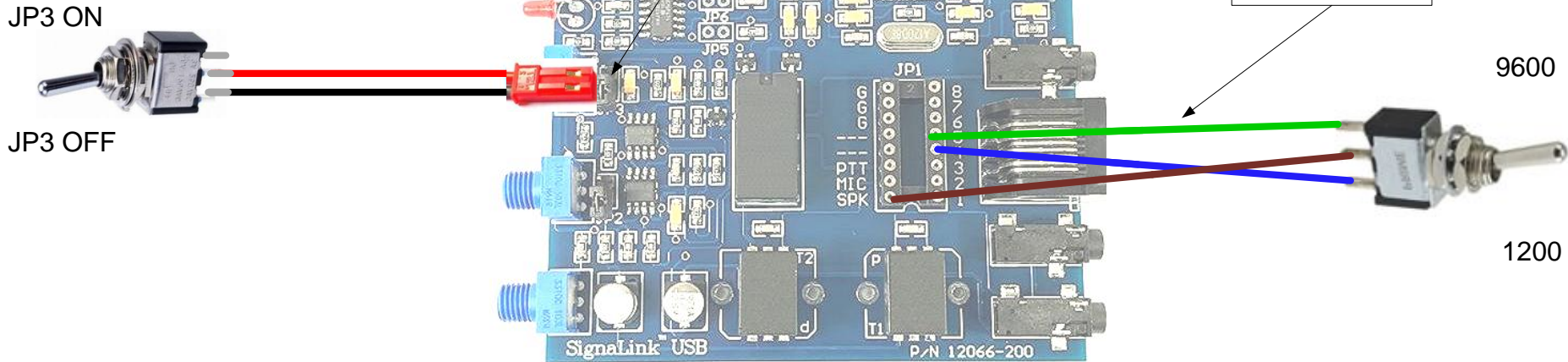
<https://www.hawaiirepeaters.net/signalink%20switches.pdf>

UP when connected to a 9600 capable Receiver
1200 FOR HF OR LOW SPEED VHF FM

JP3 UP for higher TX audio when connected to a 9600 capable transmitter

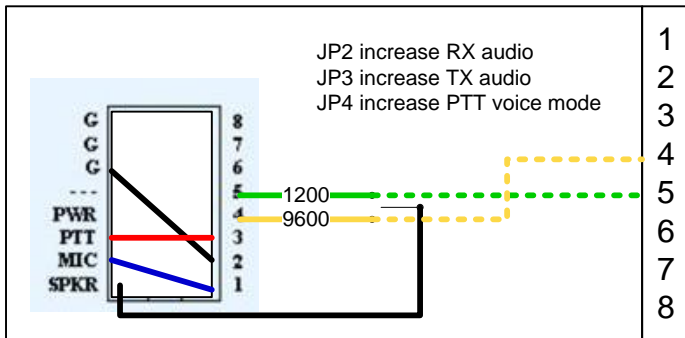


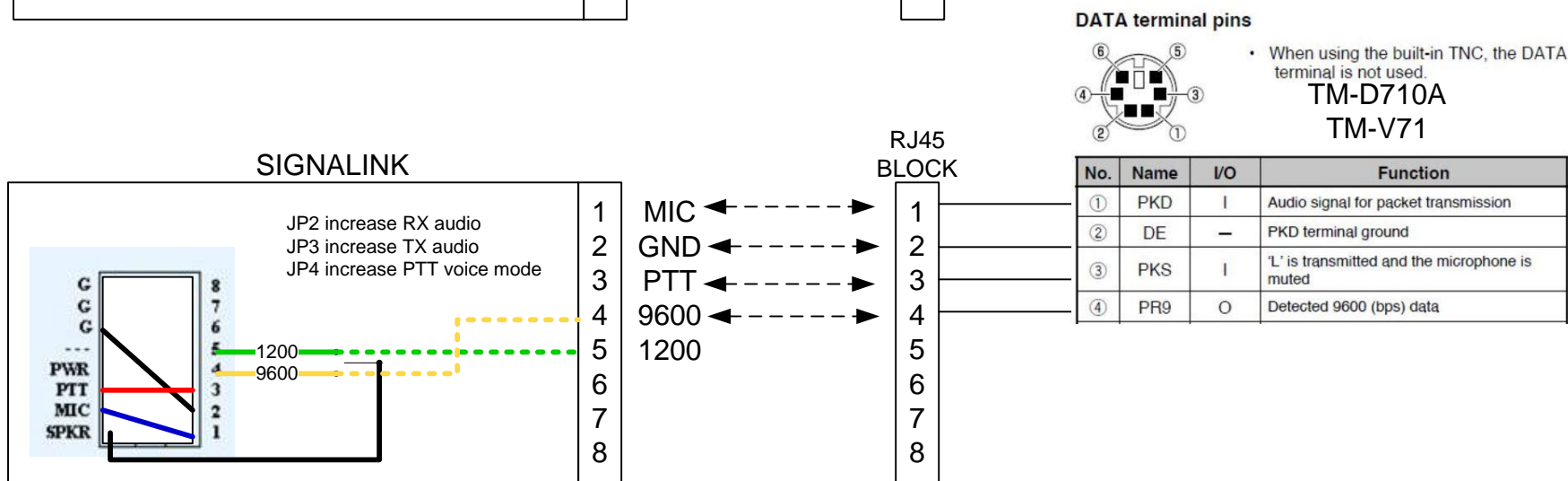
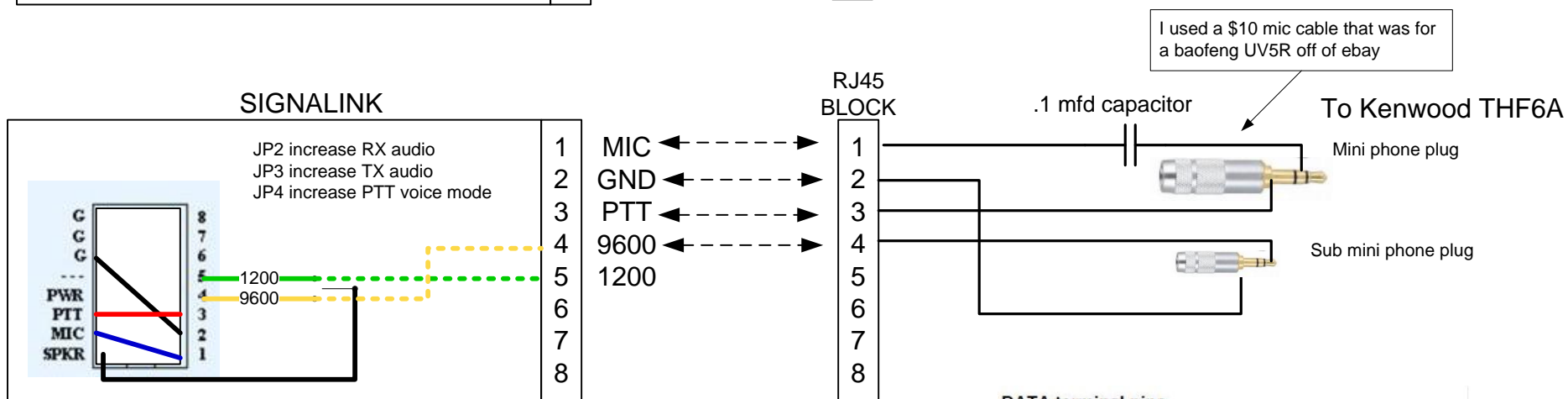
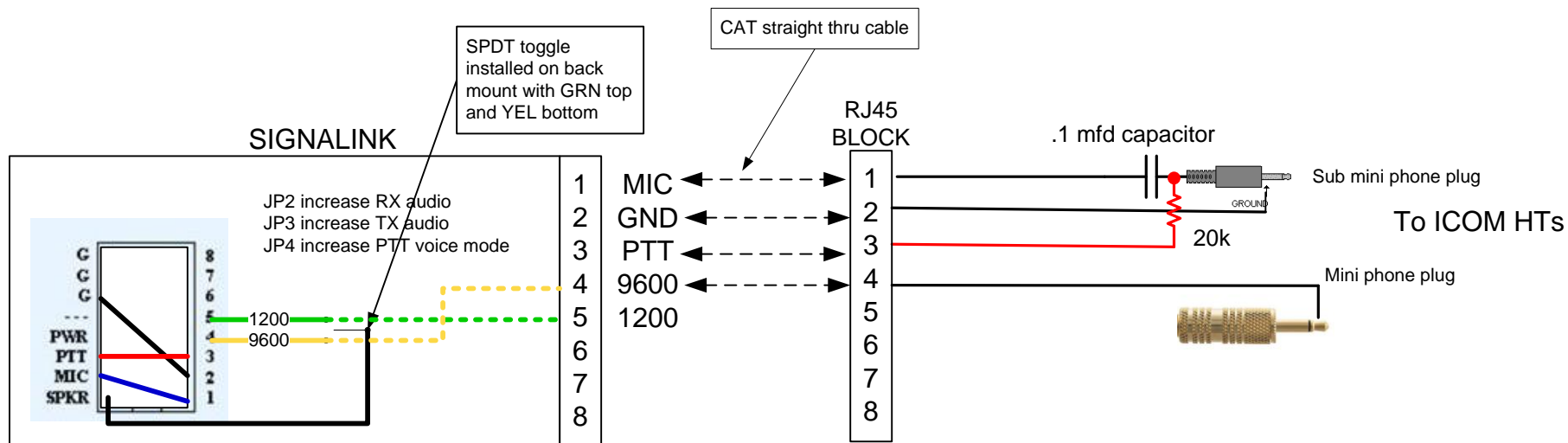
JP3 Located here. Non polarized ignore red/black colors



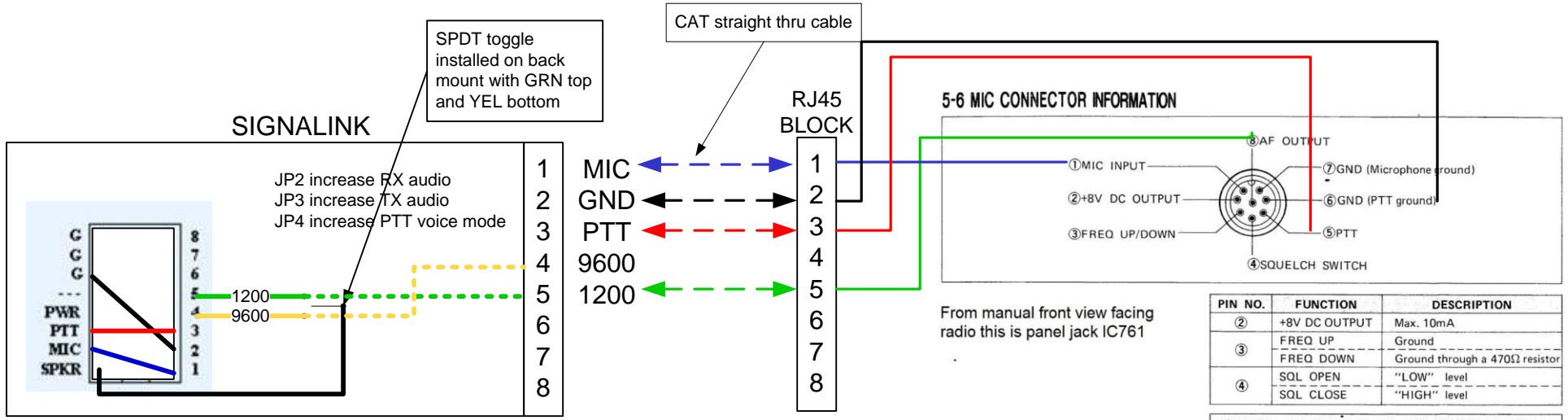
5- Green
4- Blue
SPK-Brown

SIGNALINK



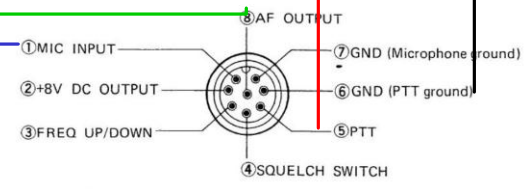


IC761 HF



JP2 increase RX audio
 JP3 increase TX audio
 JP4 increase PTT voice mode

5-6 MIC CONNECTOR INFORMATION



PIN NO.	FUNCTION	DESCRIPTION
②	+8V DC OUTPUT	Max. 10mA
③	FREQ UP	Ground
	FREQ DOWN	Ground through a 470Ω resistor
④	SQL OPEN	"LOW" level
	SQL CLOSE	"HIGH" level

CAUTION: DO NOT short pin 2 to GROUND as this can damage the inside 8V regulator.

