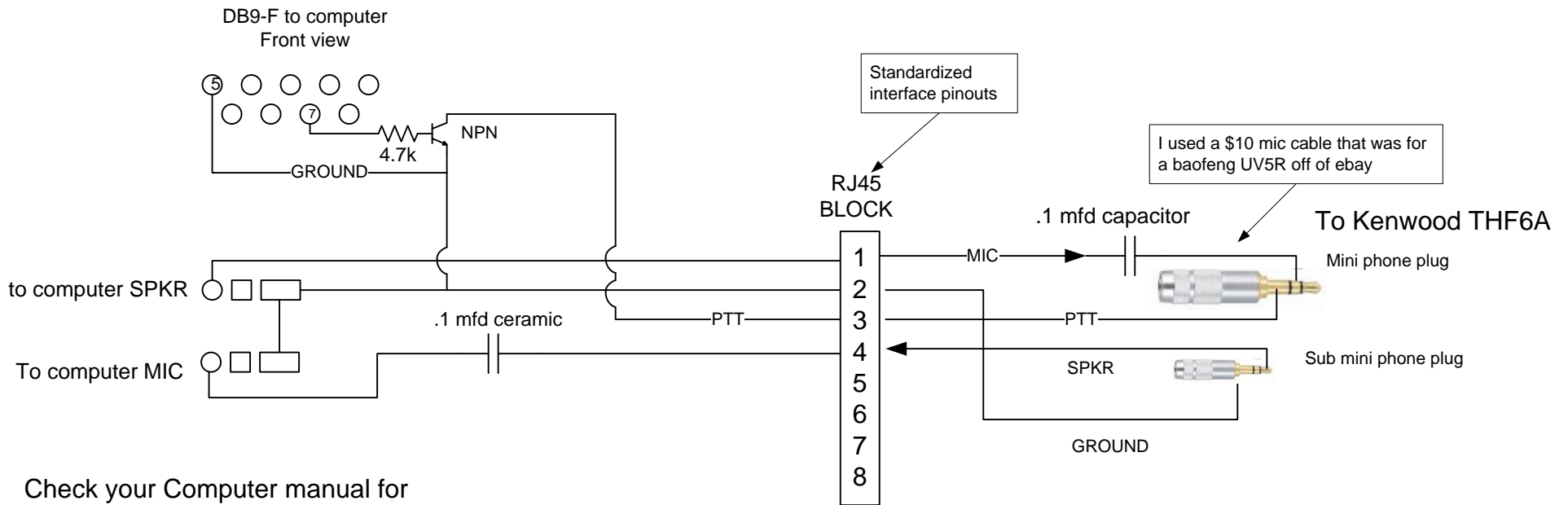


SERIAL PTT & CAPACITOR INTERFACE 11/29/20

See other wiring interfaces at <https://www.hawaiirepeaters.net/signalink%20switches.pdf>



Check your Computer manual for microphone and speaker pinout.

WARNING use at your own risk as this is a simplified interface without level limits in either direction that was tested and used on HP Pavilion computers with a generic USB to DB9 serial adapter

This adapter does not use isolated ground between radio and computer.

EXAMPLE SET UP:

- 1) I set computer spkr slider for 30
- 2) VARA PTT select your comm port #
- 3) start with minimal radio spkr output level then increase



This wiring works on

- Baofeng UV5RA
- Baofeng UV5RE
- Baofeng BTECH DMR 6x2
- Kenwood TH-F6A
- TYT MD UV 380